

# "CURLY" MULTIFUNCTIONAL LEG BRACKET

The folding leg connector "Curly" gives you the possibility of transforming your dining table into a coffee table, simply by pushing the activator button and folding the legs. Ideal for apartments with limited space.

May be used on classic folding tables as well. Ideal for hotels, cafés, restaurants, public halls, banks, bars & meeting rooms.

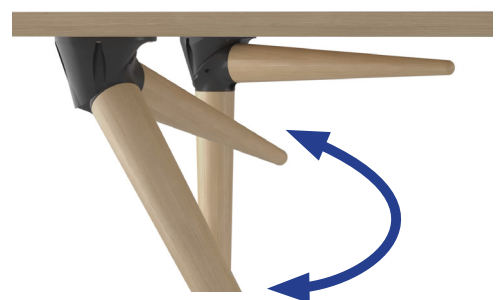
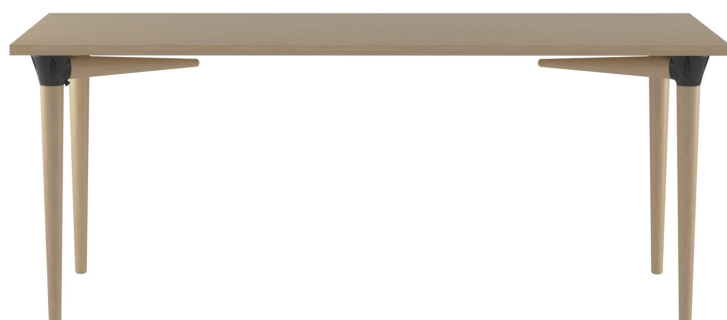
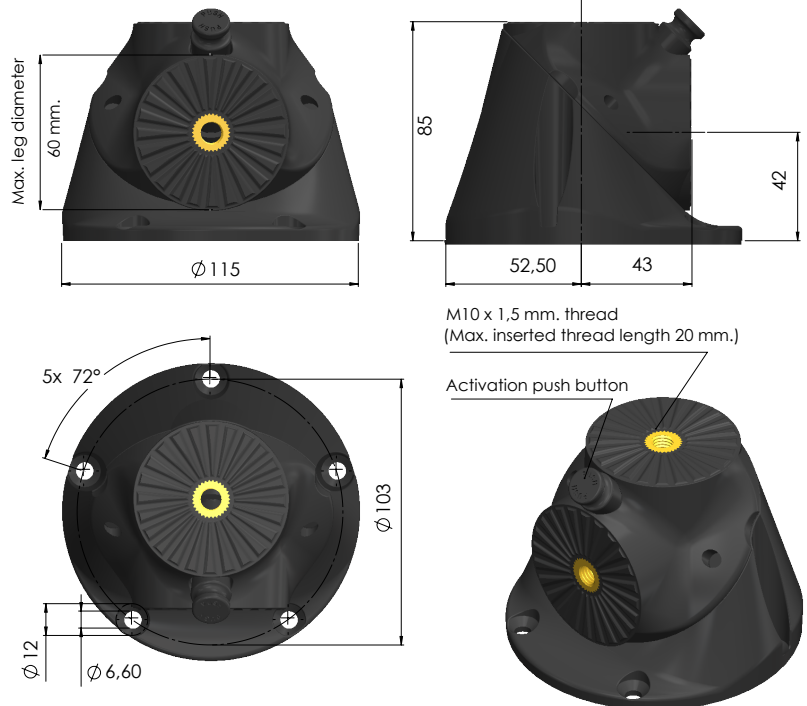
Has been tested at Danish Technological Institute according to EN 15372:2016 - Level 2.

Danish design by SISO A/S.



## "CURLY" MULTIFUNCTIONAL LEG BRACKET

Material:	Black PC/ABS
Size:	Ø115 x 85 mm
Max leg diam.:	Ø60 mm, F/M10 bolt
Item No.:	# 06.11.050



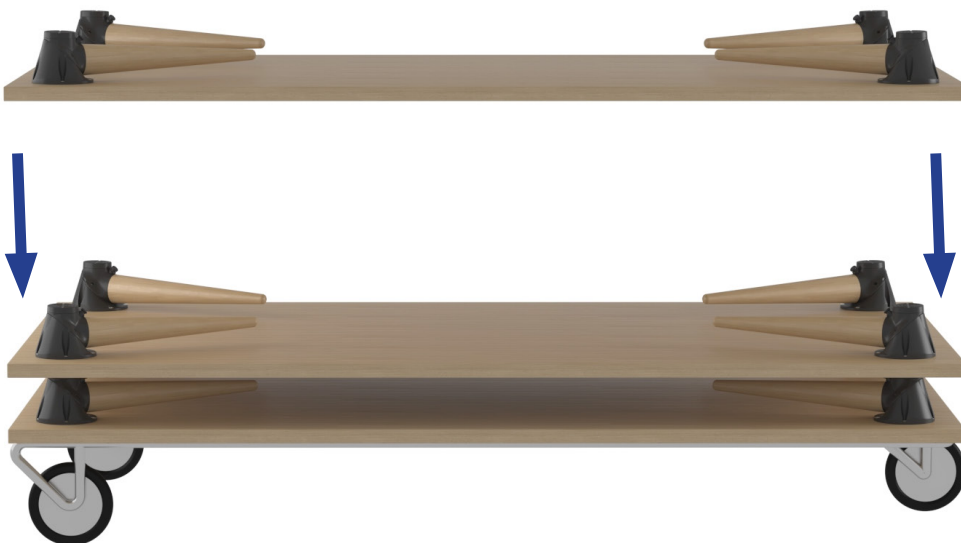
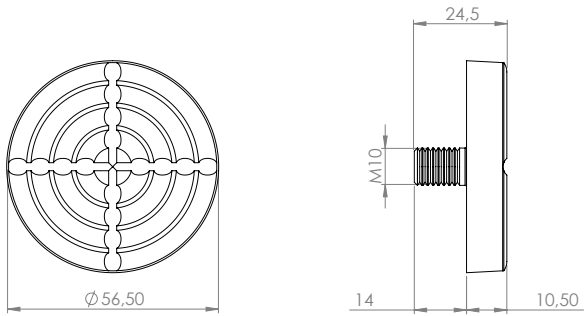
# STACKING BUMPER FOR "CURLY"

- high quality furniture fittings



## STACKING BUMPER F/"CURLY"

Material:	Black EPDM
Size:	Ø56 x 10,5 mm
Thread:	M10 x 14 mm
Item No.:	# 06.11.055



### SISO A/S

Mileparken 11 Phone: (+45) 45 830 900  
DK - 2740 Skovlunde (Copenhagen) Fax: (+45) 45 830 444  
Denmark E-mail: [siso@siso.dk](mailto:siso@siso.dk) Web: [www.siso.dk](http://www.siso.dk)